

8STA Series Quick Release for Steering Boss System



Steering Boss System for Autosport

SOURIAU offer a reliable and robust solution dedicated to quick release steering column application.

2 shell sizes available ■ Shell sizes 10 and 12.
Provides flexibility according to your application.

A wide range of layouts available ■ Always a solution according your needs with most popular 13 and 22 contacts #22D.

A flexible offer ■ Connectors can be bought separately or as part of a complete quick release system.





Description

- Rugged aluminium body to ensure long service life in the harshest environment.
- 100% scoop proof.
- Available in 2 shell sizes: 10 and 12, please consult us for other sizes.
- Standard insulators shell sizes 10 and 12 available.

Technical features

Mechanical

- **Shell:** Aluminium
- **Shell plating:** Conductive black zinc
- **Insulator:** Thermoplastic
- **Grommet & seal:** Liquid silicone rubber
- **Contact:** Copper alloy
- **Contact plating:** Gold
- **Endurance:** 500 mating cycles
- **Shock:** 300g for 3ms and EIA-364-27
- **Vibration:** 147m/s², 10 to 2000Hz

Electrical

- **Contact resistance:**
Size 22D: 14.6mΩ
See 8STA catalog for other contact size.
- **Insulation resistance:** ≥ 5000MΩ @ 500Vdc
- **Contact rating:**
Size 22D: 5 Amp
See 8STA catalog for other contact size.
- **Shell continuity:** ≤ 10mΩ

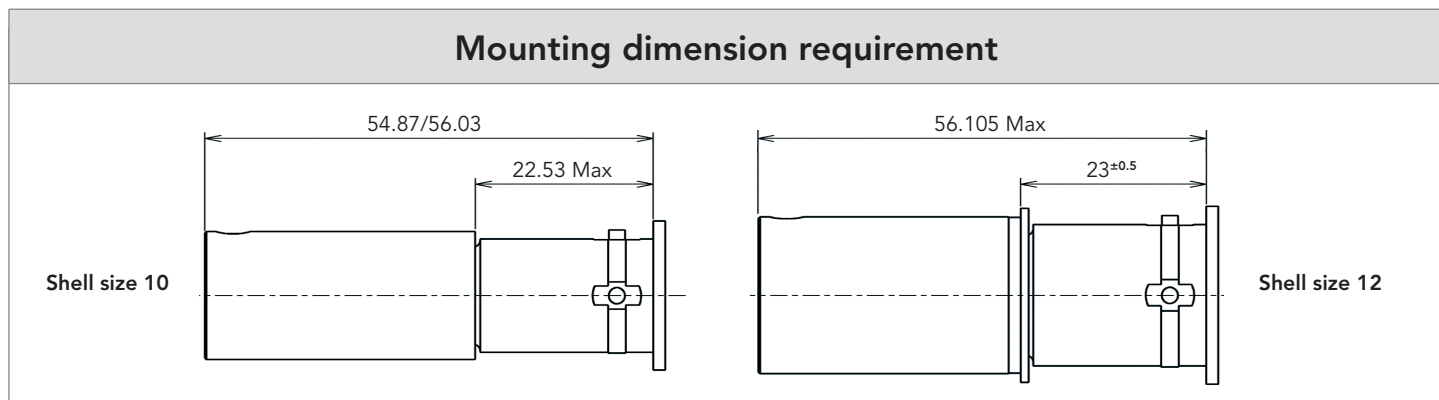
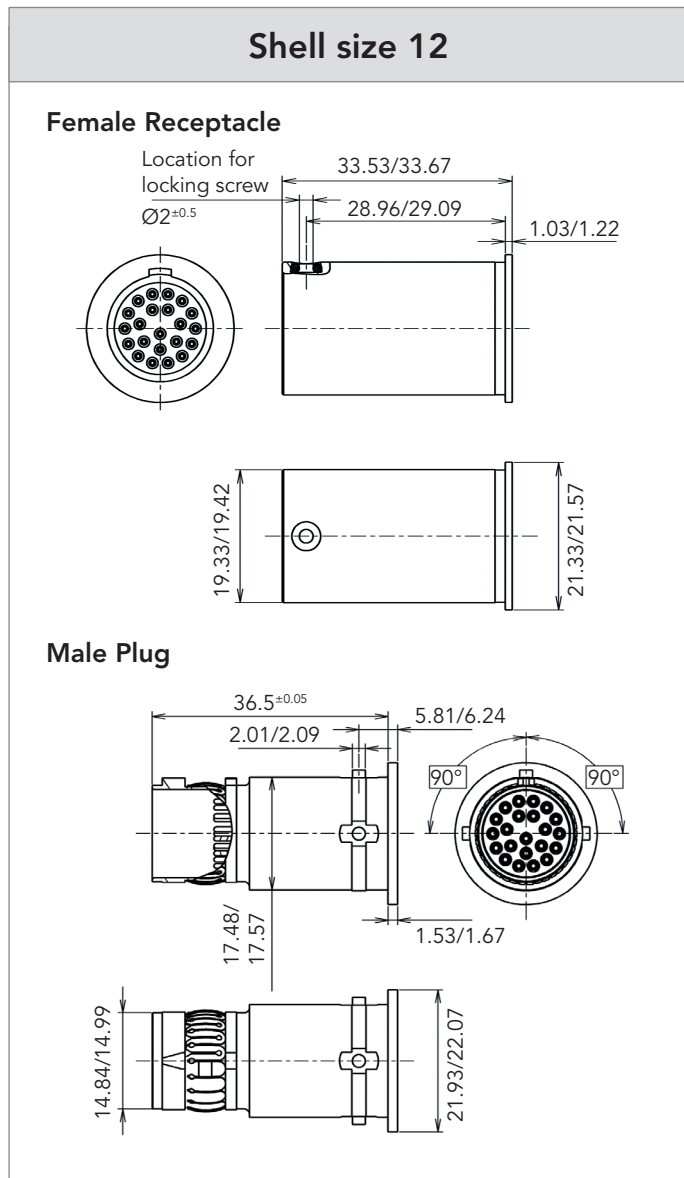
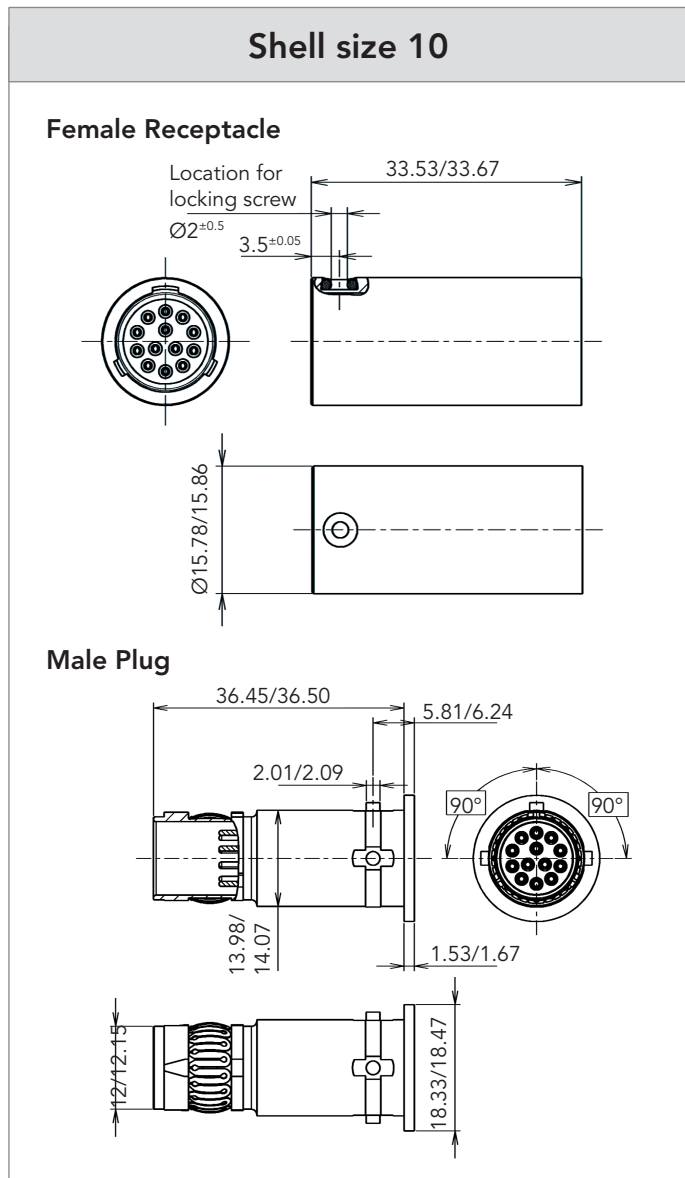
Environmental

- **Operating temperature:**
-55°C to +175°C
- **Sealing mated connectors:**
IP67 (1 metre for 30 min minimum)
- **Salt spray:** 48 hours

Ordering information

Basic series	8STA	6	12	35	P	N	518
Shell type 0: Receptacle side 6: Plug side							
Shell size: 08 (consult us) - 10 - 12							
Contact layout: See 8STA catalog							
Type of contact P: Pin S: Socket							
Orientation: N							
Specification (mandatory) 518: Steering column							

Dimensions



Note: All dimensions are in millimeters (mm)

A flexible offer to customers: Lifeline

8STA Quick Release Steering boss connectors have been developed in partnership with Lifeline Fire & Safety Systems Ltd.

Connectors can be purchased separately from SOURIAU or as part of a complete quick release steering boss system from Lifeline.



For further information contact us at technical.emear@souriau.com (Europe - Asia - Africa)
technical.americas@souriau.com (North America)
or visit our web site www.souriau.com